

# primus

## High Spin Industrial Washer Extractor FS 120



### FEATURES

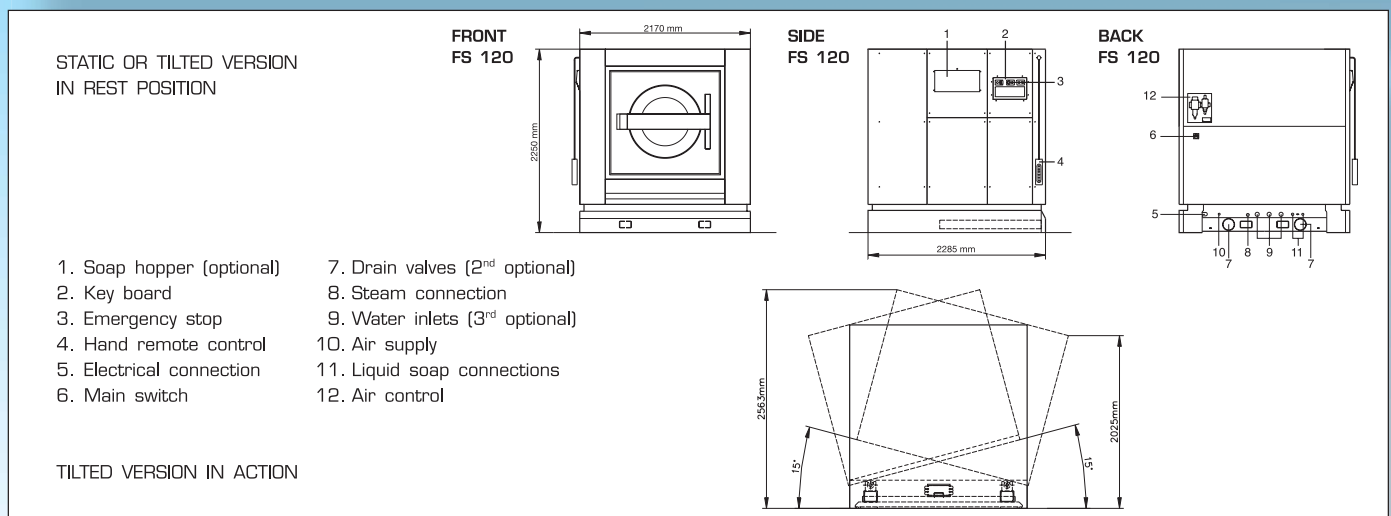
- Freestanding, high spin
- Stainless steel cabinet (AISI 304)
- Stainless steel drum and tub
- Standard Full control (FC) microprocessor (multilingual, freely programmable)
- Extra large door opening (70 cm)
- Large drain valve (126 mm)
- Easy access to all parts
- Standard liquid soap connections
- Frequency controlled motor
- Power Wash® perforated lifting ribs: more mechanical action, lower water consumption

### OPTIONS

- Tilting forwards or forwards and backwards for easy loading and unloading
- Second drain valve (126 mm) for water recycling
- Patented soap dispenser with 5 removable compartments
- Automatic door opening
- Linen chute for easy loading
- Liquid soap pumps
- Air operated water inlet
- LPMS networking software

**POWERWASH®**

TYPE		FS 120 (static version)	FS 120T (tilting version)
<b>CAPACITY</b>			
Drum volume	l		1186
Capacity	kg		120
	lbs		255
Drum dimensions	mm		∅1280x922
<b>MOTOR</b>			
Frequency controlled			standard
<b>DRUM SPEED</b>			
Wash speed	rpm		32
Spin speed	rpm		720
G-Factor spin speed			371
<b>PROGRAMMER</b>			
FC microprocessor			standard
<b>CABINET</b>			
Stainless steel AISI 304			standard
<b>DRUM</b>			
Stainless steel AISI 304			standard
<b>HEATING</b>			
Steam high pressure	bar		3-8
	psi		44-116
<b>CONNECTION</b>			
Electrical			200V 3AC 50/60Hz 208-240V 3AC 50/60Hz 380-440V+N 3AC 50/60Hz
Water inlet	kW		18,75
Steam inlet	inch		3x6/4"
Compressed air inlet	inch		1"
Drain	mm		1/4"
	inch		126 (2 <sup>st</sup> drain optional) 5"
<b>TILTING SYSTEM</b>			
Tilting angle forward	-		Optional 15°
Tilting angle backward	-		15°
Number of turning points	-		2
Tilting drive medium	-		pneumatic
<b>AUTOMATIC DOOR OPENING</b>			
			optional
<b>LOADING DEVICE</b>			
			optional
<b>DIMENSIONS HxWxD</b>			
	mm		2150x2000x2080
<b>TRANSPORT DATA</b>			
Gross weight			
Case packaging	kg		4150
Net weight	kg		3940
Volume (packed)	m <sup>3</sup>		11,1
Case packaging HxWxD	mm		2250x2170x2285
- = Not available			
Standard = Standard execution			



The company Primus bvba preserves the right to change the machines and the specification in this leaflet at any time, without prior notice. Details and photographs are only for information and never binding.

[www.primuslaundry.com](http://www.primuslaundry.com)



primus

Quality without  
compromise