



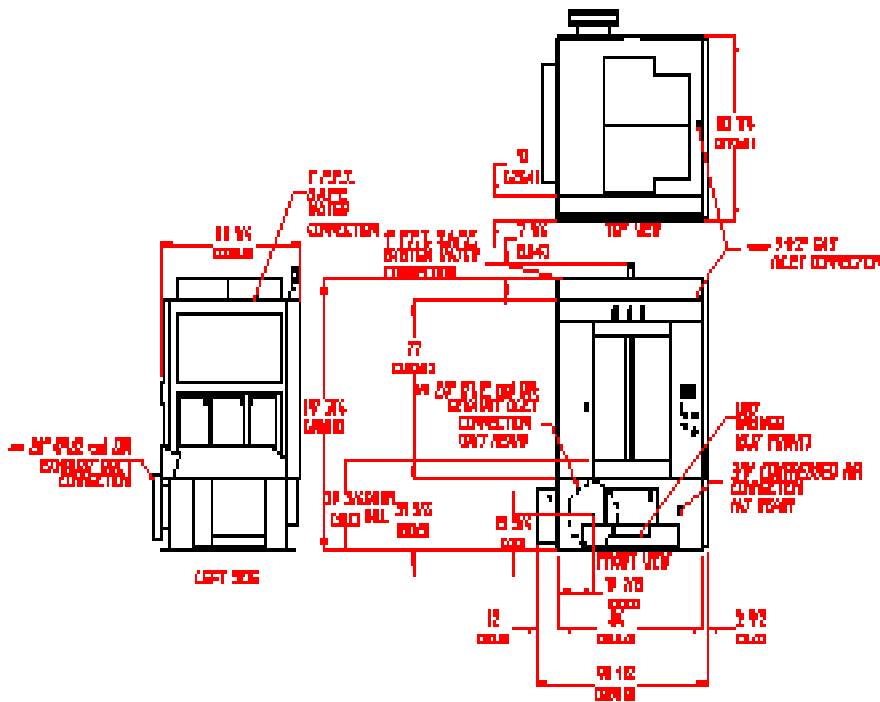
AD-410

MAXIMUM CAPACITY (DRY WEIGHT)		410 lb	185.97 kg	
TUMBLER DIAMETER		68-3/4"	174.63 cm	
TUMBLER DEPTH		66-3/8"	168.61 cm	
TUMBLER VOLUME		143 cu ft	4049.309 L	
TUMBLER/DRIVE MOTOR		7-1/2 hp	5.59 kW	
BLOWER/FAN MOTOR (GAS / STEAM)		15 hp / 25 hp	11.2 kW / 18.7 kW	
DOOR OPENING		38" w x 50" h	96.52 cm x 127 cm	
DOOR SILL HEIGHT		39-3/4"	100.97 cm	
WATER CONNECTION		1" F.N.P.T.		
DRYERS PER 20'/40' CONTAINER		1 / 3		
DRYERS PER 48'/53' TRUCK		3 / 4		
Gas	VOLTAGE AVAILABLE		208-575v 3 ϕ 3,4w 50/60 Hz	
	APPROX. NET WEIGHT		6,300 lb 2,857.63 kg	
	APPROX. SHIPPING WEIGHT		6,800 lb 3,084.43 kg	
	AIRFLOW		9,200 cfm 260.52 cmm	
	HEAT INPUT		1,400,000 Btu/hr 352,794 kcal/hr	
	EXHAUST CONNECTION (DIAMETER)		28" 71.12 cm	
	COMPRESSED AIR CONNECTION		3/8" F.N.P.T.	
	COMPRESSED AIR VOLUME (1-WAY / 2-WAY)		5-1/2 cfh / 7 cfh 0.16 cmh / 0.2 cmh	
	INLET PIPE CONNECTION		1-1/2" F.N.P.T.	
Electric	VOLTAGE AVAILABLE		N / A	
	APPROX. NET WEIGHT			
	APPROX. SHIPPING WEIGHT			
	AIRFLOW			
	EXHAUST CONNECTION (DIAMETER)			
	COMPRESSED AIR CONNECTION			
	COMPRESSED AIR VOLUME (1-WAY / 2-WAY)			
	OVEN SIZE			
	kW	Btu/hr	kcal/hr	
Steam	VOLTAGE AVAILABLE		208-575v 3 ϕ 3,4w 50/60 Hz	
	APPROX. NET WEIGHT		6,800 lb 3,084.43 kg	
	APPROX. SHIPPING WEIGHT		7,300 lb 3,311.22 kg	
	AIRFLOW		9,200 cfm 260.52 cmm	
	STEAM CONSUMPTION		1,257 lb/hr 570.17 kg/hr	
	OPERATING STEAM PRESSURE		125 psi max 8.62 bar	
	EXHAUST CONNECTION (DIAMETER)		28" 71.12 cm	
	COMPRESSED AIR CONNECTION		3/8" F.N.P.T.	
	COMPRESSED AIR VOLUME (1-WAY / 2-WAY)		5-1/2 cfh / 7 cfh 0.16 cmh / 0.2 cmh	
	BOILER HORSEPOWER (NORMAL LOAD)		38 Bhp	
	SUPPLY CONNECTION		2" M.N.P.T.	
	RETURN CONNECTION		1-1/4" M.N.P.T.	

Shaded areas are stated in metric equivalents

EV 9/2/2004

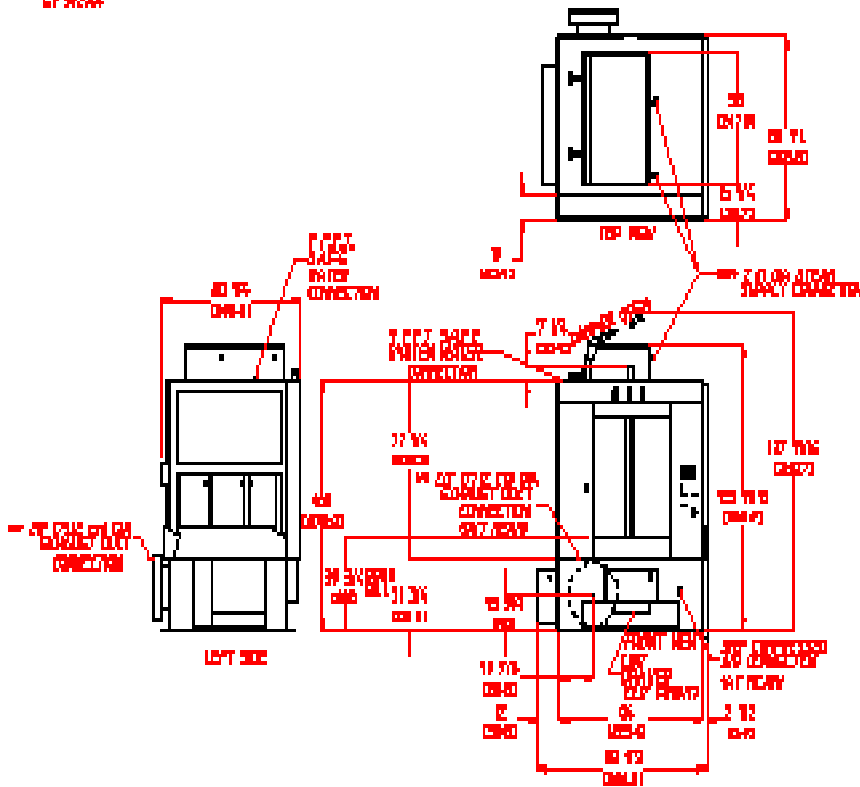
AD-410 NON-TILT* 1 DOOR GAS MODEL



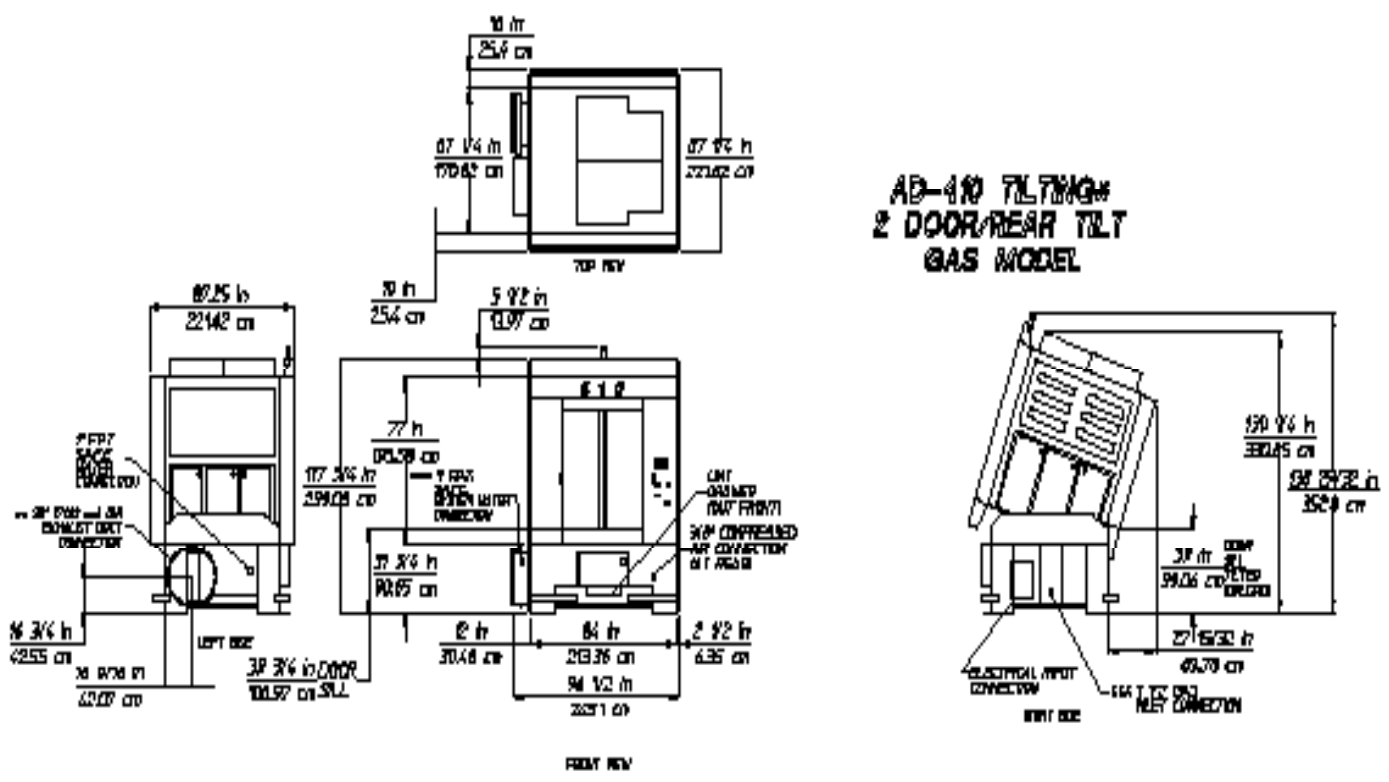
GT 3020F

* SEE DIMENSIONS IN PARTS LIST FOR DIMENSIONS
 ** DIMENSIONS MAY VARY WITH INSTALLATION CONDITIONS. CONTACT
 THE MANUFACTURER FOR DIMENSIONS AND INSTALLATION INSTRUCTIONS.
 CONTACT FOR PARTS LIST INFORMATION.

AD-410 NON-TILT* 1 DOOR STEAM MODEL



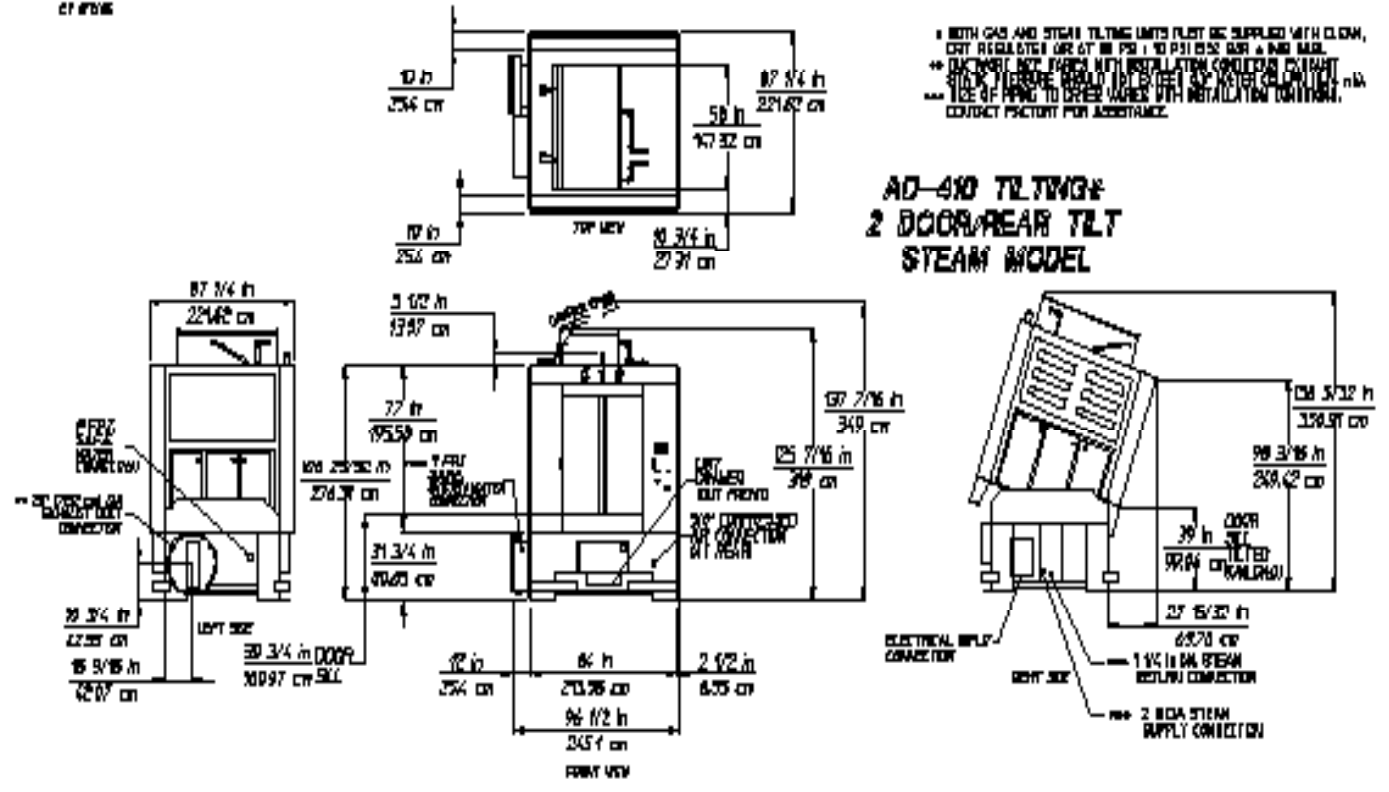
**AD-410 TILTING*
2 DOOR/REAR TILT
GAS MODEL**



01 01010

- * BOTH GAS AND STEAM TILTING UNITS MUST BE SUPPLIED WITH CLOW, CRT REGULATED GAS AT 10 PSI (0.7 BAR) AND GAS.
- ** DIMENSIONS NOT APPLICABLE WITH INSTALLATION CONDITIONS. CONTACT FACTORY FOR ASSISTANCE.

**AD-410 TILTING*
2 DOOR/REAR TILT
STEAM MODEL**



88 Currant Road • Fall River, MA 02720
Tel. 508-678-9000 • Fax 508-678-9447
sales@amdry.com • www.amdry.com

